

Test Pressure Gauge

Model No. **SS-3122 Series**

KINS



SS-3122 200mm

Summary

In these days, as the service condition is diverse, the need of measuring high level pressure increases. This gauge is proper for measuring the changes of high levels or for calibrating instrument for general level (level 1.5, 3.0).

Safety Management

- Do not give impact during the transportation, installation and usage.
- Be sure to install the pressure gauge to be horizontal and vertical.
- Avoid places where exist a lot of steam, poisonous gas.

Purpose of Use

- Various laboratories, standard equipment
- Various line such as precision pressure measuring line
- General type, correction of other pressure gauges, for inspection, etc.

Production Specification

- ▶ Diameter
 - 200 mm
- ▶ Accuracy
 - $\pm 0.5\%$ of Full Scale
- ▶ Scale Range
 - 0.1 MPa ~ 100 MPa
 - (※ 1 MPa = 10.19716 kgf/cm²)
- ▶ Working Pressure
 - Static pressure : 75% of Full Scale
 - Fluctuating pressure : 60% of Full Scale
- ▶ Working Temperature
 - Ambient : - 20 ~ 65 °C
 - Fluid : - 20 ~ 80 °C

Product Specification

<p>+ Case</p> <ul style="list-style-type: none"> · Aluminum(Hammer tone coating) 	<p>+ Type</p> <ul style="list-style-type: none"> · B-Type (Surface type) · BD-Type (Panel attachment type) 	<p>+ Element</p> <ul style="list-style-type: none"> · STS 304, STS 316 · C type bourdon tube, helical type bourdon tube
<p>+ Cover</p> <ul style="list-style-type: none"> · Aluminum(Hammer tone coating) 	<p>+ Pointer</p> <ul style="list-style-type: none"> · Aluminum · Black coating 	<p>+ Movement</p> <ul style="list-style-type: none"> · STS 304
<p>+ Connection</p> <ul style="list-style-type: none"> · STS 316 · PF, PT, NPT ↔ 1/2, 3/8 	<p>+ Dial</p> <ul style="list-style-type: none"> · Aluminum · White coating · Black (MPa), red (bar) gradations and characters 	<p>+ Option</p> <ul style="list-style-type: none"> · Throttles · Accessories
<p>+ Window</p> <ul style="list-style-type: none"> · Tempered safety glass, · Laminated safety glass 		

Pressure Gauge

Differential Pressure Gauge & Switch

Accessories of Pressure Gauge

Thermometer & Thermometer Switch

Thermocouple & RTD

Thermowell

Transmitter

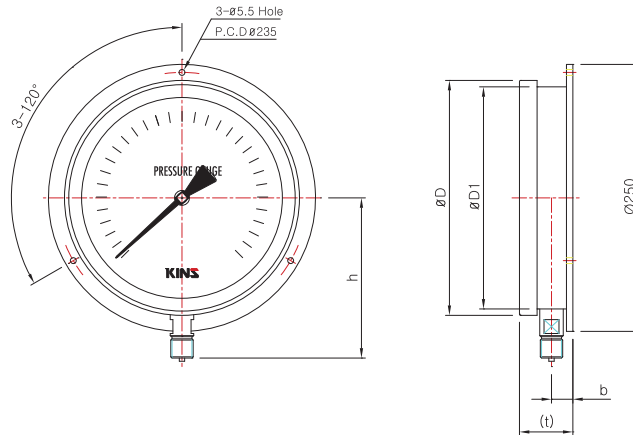
Indicator etc.

Technical data

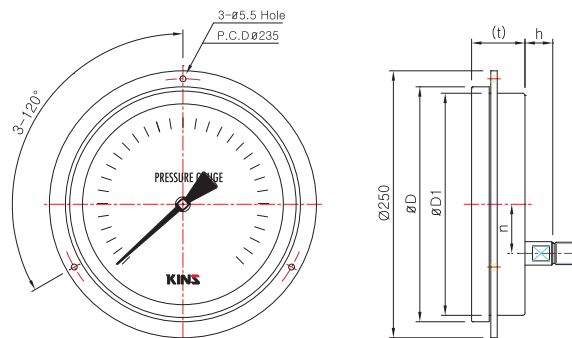
Test Pressure Gauge

Model No. **SS-3122 Series**

Model No. | SS-3122 (200mm) B-Type (Surface type)



Model No. | SS-3124 (200mm) BD-Type (Panel attachment type)



Dimensions (mm)

	Model No.	Conn'h (d)	ØD	ØD1	b	n	t	L2	h	ØC	ØH
200mm	SS-3122	NPT & PT, PF 3/8	220	208	20	-	(58)	17	(130)	5.5	235
		NPT & PT, PF 1/2									
	SS-3124	NPT & PT, PF 3/8	220	208	-	33	(58)	17	(26)	5.5	235
		NPT & PT, PF 1/2									

*()The measurement in the blanket is approximate.

Pressure Gauge

Differential Pressure Gauge & Switch

Accessories of Pressure Gauge

Thermometer & Thermometer Switch

Thermocouple & R.T.D

Thermowell

Transmitter

Indicator, etc.

Technical data